

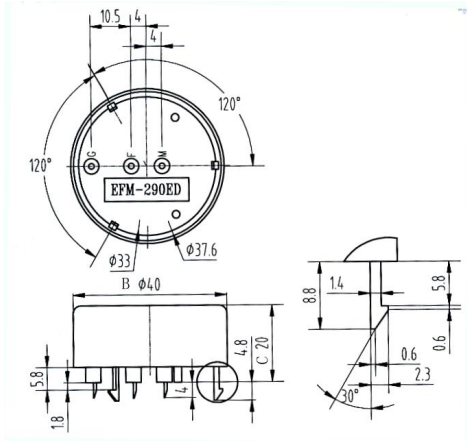


High-output Alarm Annunciator

EFM-290ED



DIMENSIONS: (Unit: mm)



FEATURES:

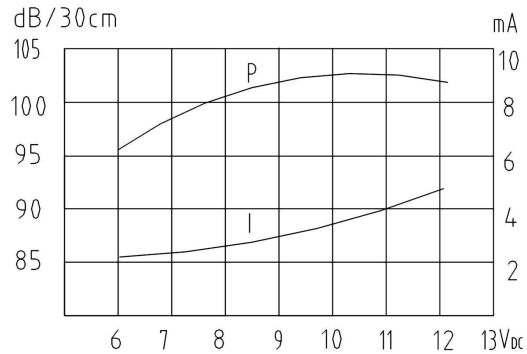
- Can Bear Soldering Temperature
- Loud Output
- Low Current Consumption
- High Efficiency And Reliability
- PCB Mounting
- Sealed Type

Rev.2

APPLICATIONS:

- Alarm Devices, Such as CO Detector, Gas Detector, Fire Warner etc.
- Automatic Control Equipment

CHARACTERISTICS:

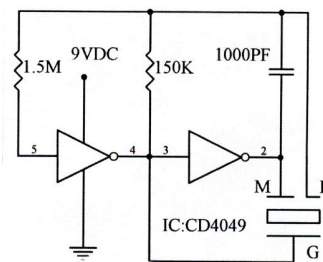


ELECTRICAL SPECIFICATIONS:

Min. Sound Pressure Level at

9V _{DC} /30cm.....	90dB(A)
7.5V _{DC} /300cm.....	85dB(A)
Rated Voltage.....	9V _{DC}
Operating Voltage.....	7~12V _{DC}
Max. Consumption.....	10mA/9(7.5) VDC
Oscillating Frequency.....	3.4±0.5kHz
Operating Temperature.....	-20~+70°C
Storage Temperature.....	-20~+70°C
Case Material/Color.....	ABS/Black
Weight.....	11.8g

TEST CIRCUIT:



PACKING INFORMATION:

Packing: 600 pcs per export carton

Carton Size: 47×30.5×35 cm

G. Weight: 8.6 kgs N. Weight: 7.1 kgs

Address: Multitrack GmbH, Pfaffenrain 22, 35606 Solms, Germany

Tel: +49-6442-9220950, Fax: +49-3212-1258768

